

IDEALPILL

Existing Pill Packs

Today on the market you can find the following types of pills packaging:

1. Glass bottle with plastic/metal cap
2. Blister (mainly used in the pharmaceutical business)
3. Airtight plastic bottle with anti-tampering cap
4. Square cardboard box (candy and tablets)
5. Square plastic box (candy and tablets)
6. Four side sealed packs
7. Metal box

Examples of existing pill packs



1



3



6



2



4



5



7



IDEALPILL -Description-

IDEALPILL is a new patented packaging solution that facilitate the dispensing of different types of food and no-food pills from a standard container/box.

The solution is well described in the following technical designs.

The concept consists simply in inserting inside a standard container/box, a strip of packed pills positioned in a preordinated sequence , in order to facilitate their dispensing, simply roll on a small wheel placed in the upper side of the cap.

- Advantages -

- Facilitate the dispensing of single pills in a pre-determined way and consequently easy control of the dosage.
- The pills not dispensed remain well protected inside the container in the packed strips (no dust, no deterioration, longer shel-life) .
- The pills cannot be separated , eliminating the problem of detection : this is a key requirement for the pharmaceutical companies.
- Maximum hygienity both during usage (you can swallow the pill without touch them with hands) during transport and in the production process
- The concept includes both “Child proof” and “senior friendly” features

IDEALPILL

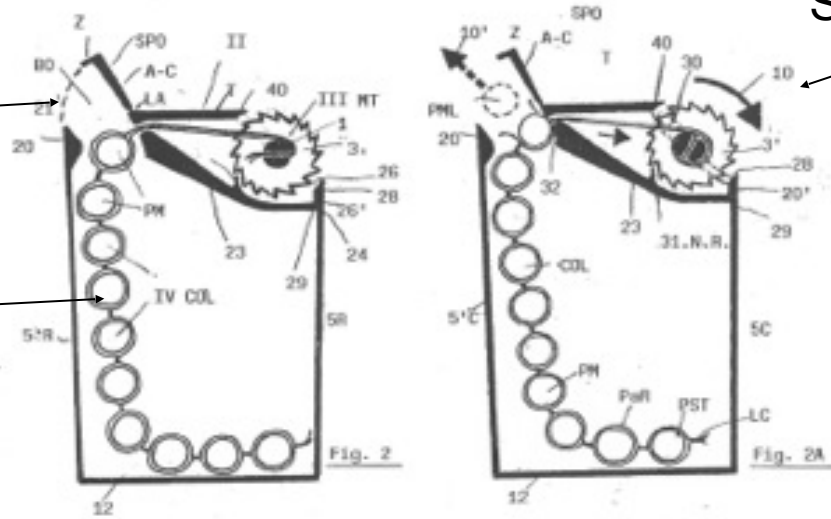


Operation

Small wheel with winder

Pill way out

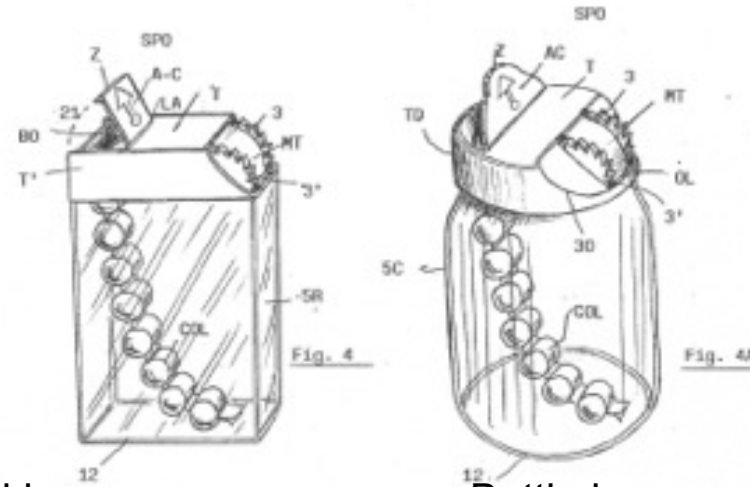
Necklace of packed pills



Different types of container



Squared box

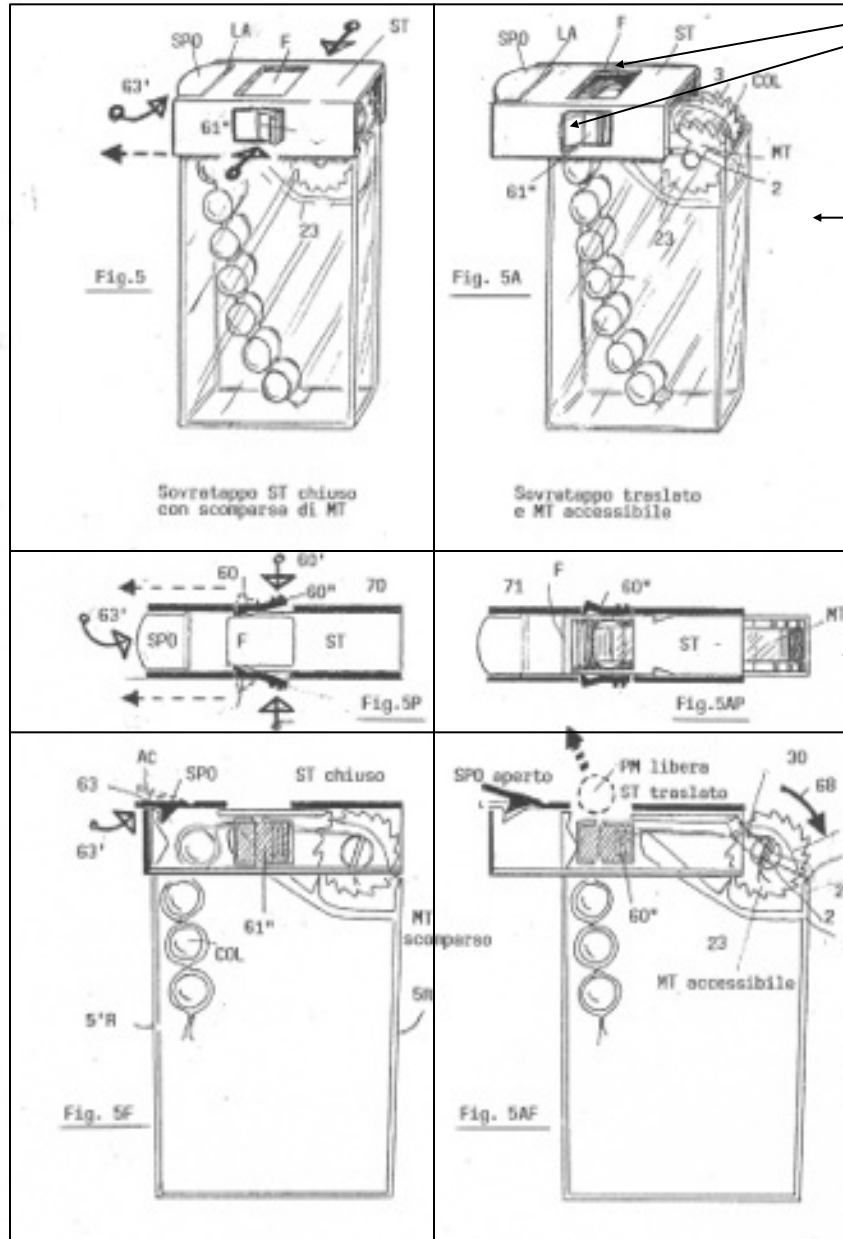


Bottle box



“CHILD PROOF” VERSION

It's necessary to press both sides to open



FRONTAL VISION

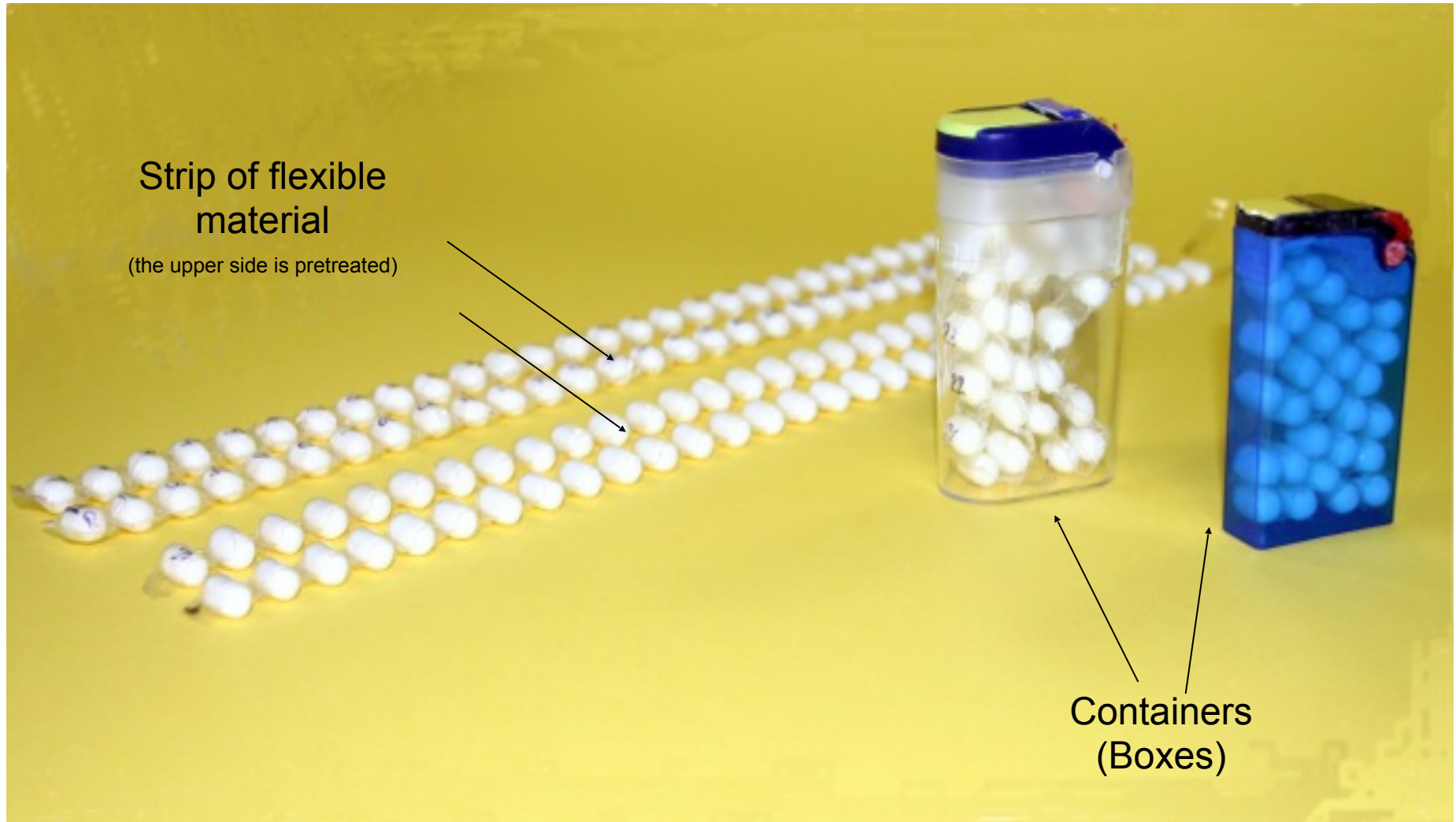
UPPER VISION

CLOSED

OPEN

“SQUARED BOX” MODEL

BASIC ELEMENTS





IDEALPILL
“Multi-pills versions”

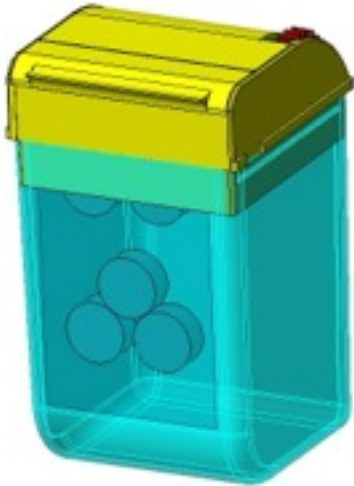
Requests

- Needs of dispensing 3 pills at the same time
- Pills size : 9,47 e 8 mm
- Ergonomic shape in order to keep the box in a normal hand
- Smooth dosing

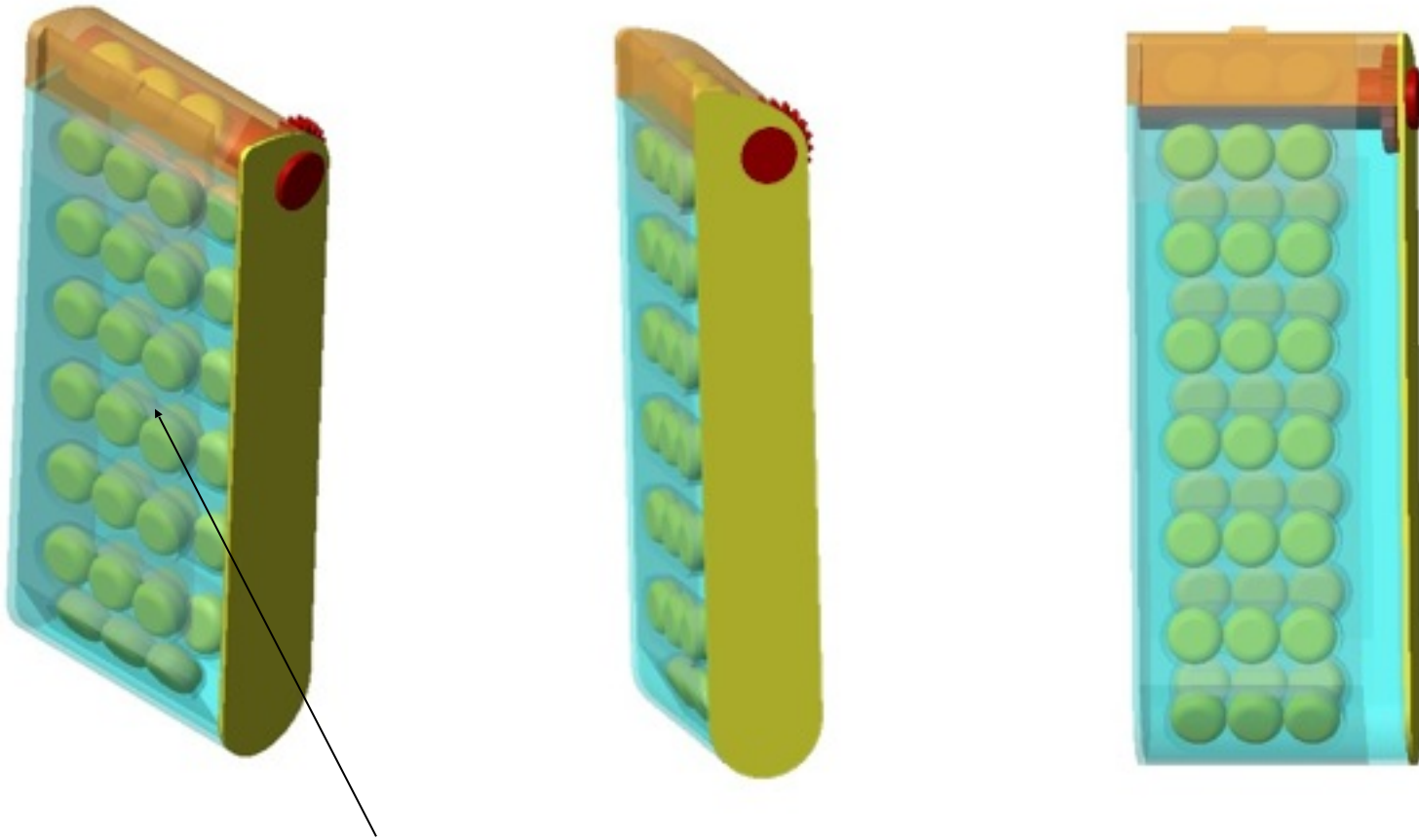
Conclusions

- Square shape : 38 x 38 mm size
- the pills are packed in triangular to optimize the space
- presentation of an alternative “taylor-made” version keeping same dosing way concept

IDEALPILL MULTIPILLS VERSION



ALTERNATIVE “MULTIPILLS” SOLUTION



BLISTER Type



For further information please contact :

IDEALPACK Srl

PST Valle Scrivia, Str.Savonesa, 9
15050 Rivalta S. – Tortona (AL) – ITALIA
Phone : +39-0131-860498
Fax : + 39-0131-860296
E-mail : info@idealpack.it
Site: www.idealpack.it